

Brief Introduction

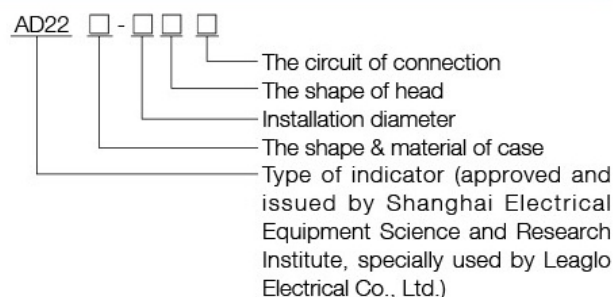
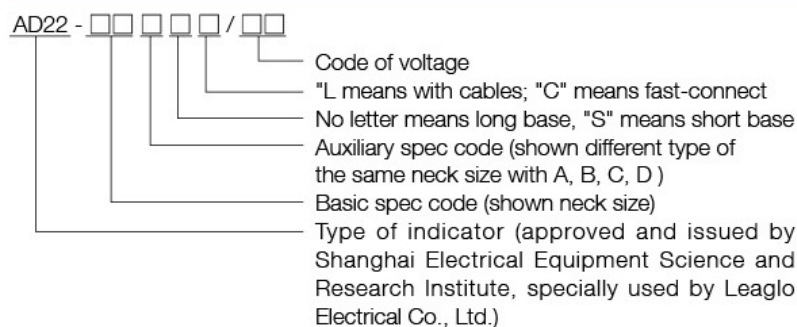
AD22(LED) series of indicator is equally used LED shining chip as light source. Because of long life, low consumption, small volume and light weight, it is a new type of product replaced the older incandescent lamp and indicator of neon lamp. AD22 indicators are produced by our factory enjoying following characters: high brightness, good reliability, beautiful shape and careful manufactured. Products are well praised by lots of clients. In order to fit in with top quality and aesthetic demand of user, we develop AD22-22B, C, D, E, G, H, double-color lamp,

position indicator, shining buzzer and mini short indicator, as well as design shape of AD22-22G/22GS series button and it is possible to meet all kinds of international standard lampshade, which is made of polycarbonate with high intension and enjoying better anti-surge performance, and bolt-type connector designed will make it safer and more convenient. All improvement will be provided to make your choice more convenient and your design perfect.

Use

AD22 series of indicators are used as indicating, foretelling, accident and other signals in the lines of equipment (such as electrical power telecommunication, machine tool, watercraft, textile, printing and mine machinery, etc).

Model Designation



Applicable environment

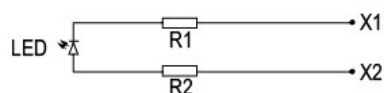
- (1) Surrounding temperature: $-25^{\circ}\text{C} \sim +55^{\circ}\text{C}$
- (2) Relative humidity $\leq 98\%$.
- (3) It can normally work under the conditions of 2-80Hz vibration frequency and 0.7g/h accelerated speed.
- (4) Pollution grade: III; Installed sort: III.
- (5) It is possible to work under the moist tropical environment if there is a "TH" sign.

Main technical characteristics

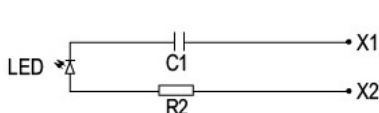
- (1) Voltage of working frequency: 2.5kV (AC valid value), 1 min.
- (2) Insulated resistance $\geq 2\text{M}\Omega$
- (3) Voltage wave allowed by AC indicator $\pm 20\%$
- (4) Continual working life $\geq 30000\text{h}$
- (5) Brightness $\geq 60\text{cd/m}^2$
- (6) Index of leakage CT1 ≥ 100
- (7) Protection of degree is IP40, and it is possible to be made to up to IP67
- (8) Using frequency: AC50-60 Hz

Circuit Introduction

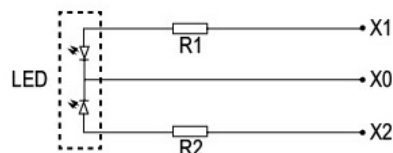
(1) AC and DC indicator(AC/DC6V~220V)



(2) AC indicator (AC220V, AC380V)



(3) Return of double-color indicator (DC, AC110~220V)



Note: It should be considered radiating condition When DC is up to 110V, 220V and 380V for there is a great of heat.

Note: When put through X0 and X1, lamp is shining green, when done X0 and X2, lamp is shining red.

Contrast list of voltage, current

Supply Voltage	AC.DC							DC	FD		AC	
Voltage	6V	12V	24V	36V	48V	110V	127V	220V	380V	500V	200V	380V
Current	140	72	18~72	18	18	16	16	12	12	12	16	17

AD22

Indicator



Description	Voltage	Color	Model	Dimension
Protected LED Indicator	24V AC/DC 36V AC/DC 48V AC/DC 110V AC 127V AC 220V AC	● Red	AD22-16DS	
		● Green		
		● Yellow		
		● Blue		
		○ White		
24V AC/DC 36V AC/DC 48V AC/DC 110V AC/DC 127V AC/DC 220V AC/DC	24V AC/DC 36V AC/DC 48V AC/DC 110V AC/DC 127V AC/DC 220V AC/DC	● Red	AD22-16D	
		● Green		
		● Yellow		
		● Blue		
		○ White		
24V AC/DC 36V AC/DC 48V AC/DC 110V AC/DC 127V AC/DC 220V AC/DC	24V AC/DC 36V AC/DC 48V AC/DC 110V AC/DC 127V AC/DC 220V AC/DC	● Red	AD22-22DS	
		● Yellow		
		● Green		
		● Blue		
		○ White		
24V AC/DC 36V AC/DC 48V AC/DC 110V AC/DC 127V AC/DC 220V AC/DC	24V AC/DC 36V AC/DC 48V AC/DC 110V AC/DC 127V AC/DC 220V AC/DC	● Red	AD22-22D	
		● Green		
		● Yellow		
		● Blue		
		○ White		
24V AC/DC 36V AC/DC 48V AC/DC 110V AC/DC 127V AC/DC 220V AC/DC	24V AC/DC 36V AC/DC 48V AC/DC 110V AC/DC 127V AC/DC 220V AC/DC	● Red	AD22-22DSC	
		● Yellow		
		● Green		
		● Blue		
		○ White		
24V AC/DC 36V AC/DC 48V AC/DC 110V AC/DC 127V AC/DC 220V AC/DC	24V AC/DC 36V AC/DC 48V AC/DC 110V AC/DC 127V AC/DC 220V AC/DC	● Red	AD22-22DSL	
		● Green		
		● Yellow		
		● Blue		
		○ White		



AD22-16DS



AD22-16D



AD22-22DS



AD22-22D

AD22 Indicator



AD22-22BS



AD22-22RG



AD22-22WG



AD22-22WN

Description	Voltage	Color	Model	Dimension
Protected LED Indicator	24V AC/DC	● Red	AD22-22CS AD22-22CSL AD22-22CSC	
	36V AC/DC	● Green		
	48V AC/DC	● Yellow		
	110V AC/DC	● Blue		
	127V AC/DC	○ White		
	220V AC/DC			
AD22-22BS	24V AC/DC	● Red	AD22-22BS	
	36V AC/DC	● Green		
	48V AC/DC	● Yellow		
	110V AC/DC	● Blue		
	127V AC/DC	○ White		
	220V AC/DC			
AD22-22DRG	110V AC/DC	● Red & Green	AD22-22DRG AD22-22DRB	
	127V AC/DC	● Red & Blue		
	220V AC/DC			
	380V AC			
AD22-22WG	110V AC/DC	⊕	AD22-22WG	
	127V AC/DC			
	220V AC/DC			
	380V AC			
AD22-22WD	110V AC/DC	⊕	AD22-22WD AD22-22WN	
	127V AC/DC	⊕		
	220V AC/DC			
	380V AC			
AD22-30DS	24V AC/DC	● Red	AD22-30DS	
	36V AC/DC	● Green	AD22-30DSL	
	48V AC/DC	● Yellow	AD22-30DSC	
	110V AC/DC	● Blue		
	127V AC/DC	○ White		
	220V AC/DC			

AD22

Indicator



AD22-22SM

Description	Voltage	Color	Model	Dimension
Protected LED Indicator Buzzer	24V AC/DC	● Red	AD22-16SM AD22-16M	
	36V AC/DC	● Black		
	48V AC/DC			
	110V AC/DC			
	127V AC/DC			
220V AC/DC				
	24V AC/DC	● Black	AD22-22M	
	36V AC/DC			
	48V AC/DC			
	110V AC/DC			
	127V AC/DC			
	220V AC/DC			
	24V AC/DC	● Red	AD22-22SM/R AD22-22SM/Y	
	36V AC/DC	● Yellow		
	48V AC/DC			
	110V AC/DC			
	127V AC/DC			
	220V AC/DC			
	24V AC/DC	● Red	AD22-22SMB	
	36V AC/DC			
	48V AC/DC			
	110V AC/DC			
	127V AC/DC			
	220V AC/DC			
	24V AC/DC	● Black	AD22-22MB	
	36V AC/DC			
	48V AC/DC			
	110V AC/DC			
	127V AC/DC			
	220V AC/DC			



Indicator wrench ϕ 16



Indicator wrench ϕ 22